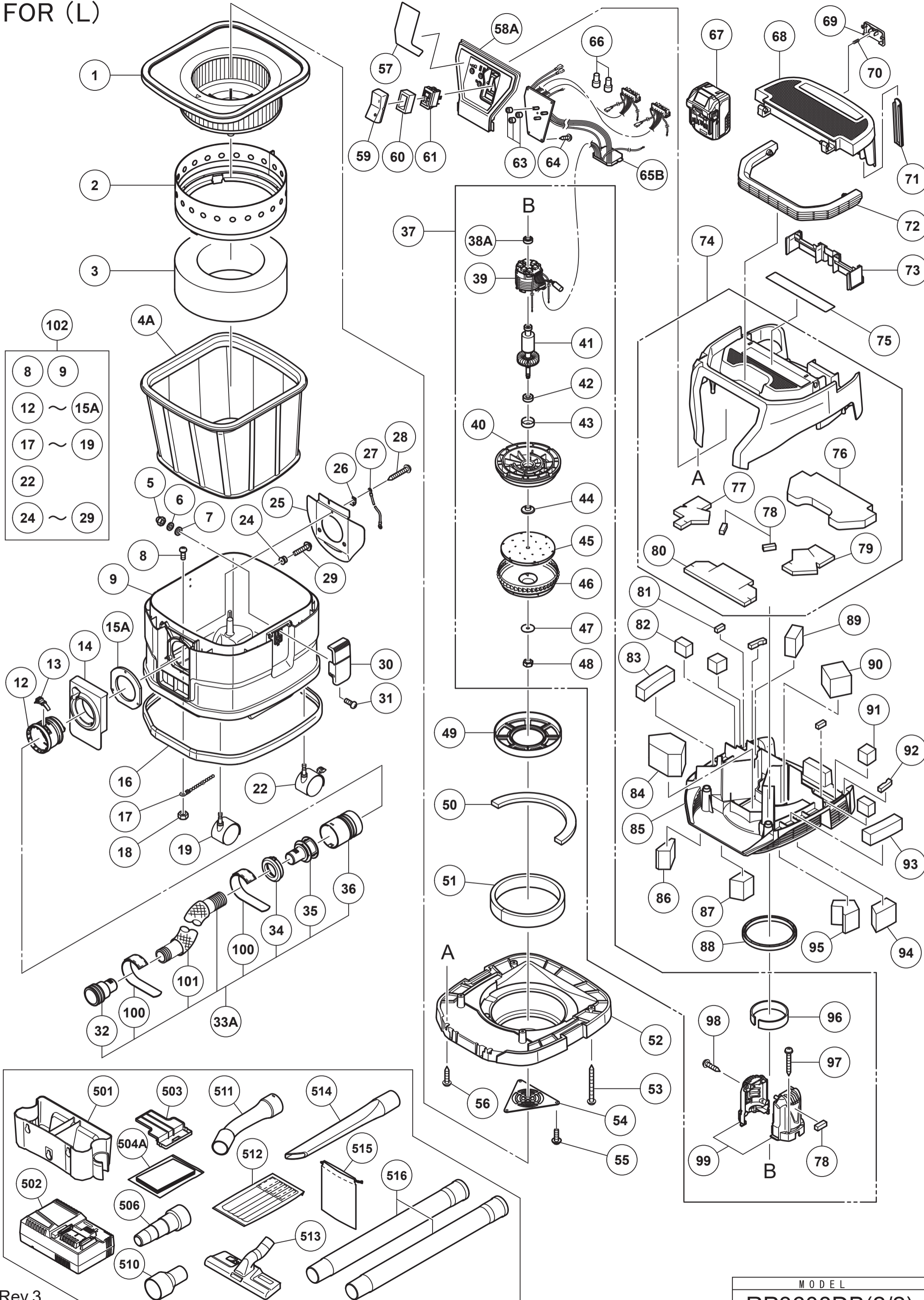


FOR (L)



HIKOKI

CORDLESS CLEANER

Item No.	Code No.	Description	No. Used	Remarks
1	337460	POWDER FILTER (8L·15L)	1	
1	377775	POWDER FILTER (8L·15L)	1	FOR (L)
2	337462	CLOTH FILTER	1	
2	377777	CLOTH FILTER	1	FOR (L)
3	337463	FILTER DAMPER	1	
3	377776	FILTER DAMPER	1	FOR (L)
4A	377758	PRE FILTER (8L·15L)	1	
4A	377774	PRE FILTER (8L·15L)	1	FOR (L)
5	311839	HEX. CAP NUT M4	4	
6	949453	SPRING WASHER M4 (10 PCS.)	4	
7	949423	WASHER M4 (10 PCS.)	4	
8	949218	MACHINE SCREW M4X14 (10 PCS.)	1	
*8	949216	MACHINE SCREW M4X10 (10 PCS.)	1	FOR (L)
9	377770	TANK (8L)	1	FOR (L)
10	975597	CAP NUT M8	4	
11	949433	BOLT WASHER M8 (10 PCS.)	6	
12	337451	HOSE JOINT	1	
13	321014	HOSE STOPPER	1	
14	337449	JOINT COVER (A)	1	
15A	377772	JOINT COVER PACKING	1	
16	337446	BUMPER	1	
17	329872	EARTH CHAIN	1	
*17	325870	EARTH CHAIN	1	FOR (L)
18	949554	NUT M4 (10 PCS.)	1	
19	337438	CASTER (D50)	2	
*19	325858	CASTER D50	2	FOR (L)
20	338453	RUBBER WASHER	8	
21	338454	CASTER HOLDER	2	
22	337439	CASTER (D50 WITH STOPPER)	2	
*22	325859	CASTER D50 (W/STOPPER)	2	FOR (L)
23	373590	SPECIAL NUT	3	
24	374772	WASHER	6	
24	377773	FLANGE COLLAR	3	FOR (L)
25	337452	POLY GUIDE (A)	1	
26	337454	EARTH PLATE	1	
27	329183	INTERNAL WIRE (D)	1	
28	307028	TAPPING SCREW (W/FLANGE) D4X25 (BLACK)	3	
*28	305490	TAPPING SCREW (W/FLANGE) D4X30 (BLACK)	3	FOR (L)
29	373589	SPECIAL BOLT	3	
29	994806	P-TITE SCREW D4X20	3	FOR (L)
30	337455	CLAMP LEVER	2	
31	949219	MACHINE SCREW M4X16 (10 PCS.)	4	
32	338478	SLEEVE (B) ID28	1	TILL 7.2021
32	377781	SLEEVE (B) ID28	1	SINCE 8.2021
33A	377779	HOSE ASS'Y ID28 (W/HOSE COVER)	1	INCLUD.32,34-36,100,101
34	337515	CLICK RING (FOR D28)	1	
35	337514	SCREW RING (ID 28)	1	TILL 7.2021
35	377780	SCREW RING (B) ID 28	1	SINCE 8.2021
36	374776	SLEEVE (A) ID38	1	
37	373569	MOTOR ASS'Y	1	INCLUD.38-48,96-100
38A	376160	BEARING BUSHING	1	
39	341051	STATOR FET PCB	1	
40	373573	FAN BASE	1	

* ALTERNATIVE PARTS

HIKOKI

CORDLESS CLEANER

Item No.	Code No.	Description	No. Used	Remarks
41	361091	ROTOR	1	
42	333945	BALL BEARING 608VV	1	
43	339180	BEARING HOLDER (B)	1	
44	339174	FLANGE WASHER	1	
45	339166	FAN	1	
46	339177	CASING	1	
47	339178	SPECIAL WASHER	1	
48	339175	LOCK NUT M8	1	
49	334977	SUPPORT RING (B)	1	
50	374771	SILENT FILTER (H)	1	
51	337475	SILENT FILTER (A)	1	
52	373897	MOTOR BASE ASS'Y	1	INCLUD.50,51
53	301815	TAPPING SCREW (W/FLANGE) D4X45 (BLACK)	4	
54	338484	GUARD PLATE	1	
55	994810	SCREW (PLASTIC TIE) D4X16	3	
56	301653	TAPPING SCREW (W/FLANGE) D4X20 (BLACK)	2	
57	373902	PANEL SHEET (D)	1	
58A	373901	SWITCH HOLDER ASS'Y	1	INCLUD.57,59-61
59	373576	SWITCH COVER	1	
60	373578	SWITCH PACKING	1	
61	373577	SWITCH	1	
63	370077	CUSHION	3	
64	372288	TAPPING SCREW (W/FLANGE) D3X12	5	
65B	373895	CONTROLLER MAIN	1	
66	374773	CONNECTOR	2	
67	371750	BATTERY BSL 36A18 (EUROPE,AUS,NZL)	2	INCLUD.503
68	373572	BUTTERY GUARD ASS'Y	1	INCLUD.69-71
69	373613	CLAMP LEVER (A)	1	
70	373610	CLAMP SPRING	1	
71	373607	CORD COVER	1	
72	373604	HANDLE	1	
73	373605	BATTERY TERMINAL HOLDER	1	
74	373896	HEAD COVER ASS'Y	1	INCLUD.76-80
75		NAME PLATE	1	
76	373898	HEAD COVER PACKING (A)	1	
77	373602	HEAD COVER PACKING (C)	1	
78	373603	HEAD COVER PACKING (D)	3	
79	373601	HEAD COVER PACKING (C)	1	
80	373600	HEAD COVER PACKING (B)	1	
81	373619	SILENT FILTER (D)	2	
82	373616	SILENT FILTER (C)	2	
83	373615	SILENT FILTER (B)	1	
84	373626	SILENT FILTER (L)	1	
85	373597	MOTOR COVER	1	
86	373623	SILENT FILTER (F)	1	
87	373621	SILENT FILTER (E)	1	
88	373596	MOTOR PACKING (A)	1	
89	373625	SILENT FILTER (J)	1	
90	373624	SILENT FILTER (M)	1	
91	373617	SILENT FILTER (C)	2	
92	373618	SILENT FILTER (D)	2	
93	373614	SILENT FILTER (A)	1	
94	373620	SILENT FILTER (E)	1	

* ALTERNATIVE PARTS

